



WESANT

MANUFACTURING

**PLATFORM
LIFTS**

PLATFORM LIFTS

Reliable, uncomplicated vertical access...

Introducing an outstanding range of PLATFORM LIFTS
to suit your needs.

Wesants' platform lifts are designed and manufactured from top quality components in compliance with the SANS 1545-4 code. They can be custom finished to suit any client's needs and are suitable for both private and public buildings requiring accessibility.

KEY DETAILS

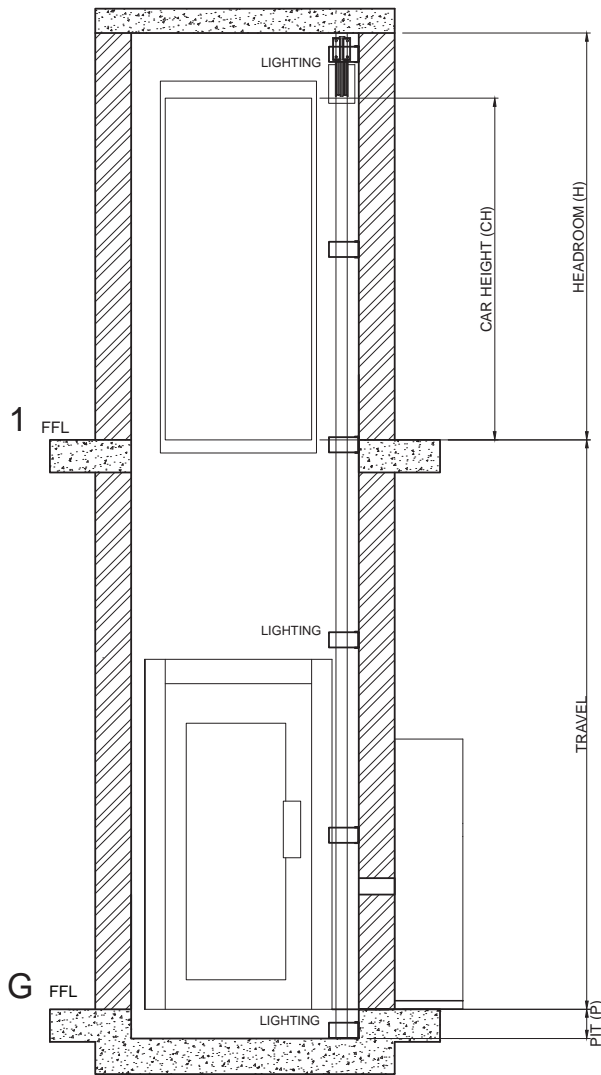
CAPACITY	250kg, 300kg, 325kg
SPEED	0.15m/s
TRAVEL HEIGHT	9m
MAX NUMBER OF FLOORS	4
DOOR ORIENTATION	Inline or opposite
DOOR OPERATION	Manual or automatic
CAR DOOR TYPES	Light curtain, 2 panel side opening door
LANDING DOOR TYPES	Swing door, 2 panel side opening door
MACHINE LOCATION OPTIONS	MCBA (machine cabinet below adjacent)
DRIVE TYPE	Hydraulic
USE	Passenger and disabled access
FINISHES	Powder coated mild steel, stainless steel, glass or wood
NORMAL OPERATION	Simplex control using constant pressure buttons, latching buttons available on application
EMERGENCY OPERATION	Battery backup available as standard, allowing lift to be lowered to the terminal floor in the event of a power failure.

PRODUCTS		PL 1	PL 2	PL 3	PLA 1	PLA 2	PLA 3
DOOR OPERATION		Manual			Automatic		
CAPACITY (KG)		250	300	325	250	300	325
SHAFT SIZE (MM)	Width (SW)	1250	1350	1550	1500	1600	1600
	Depth (SD)	1350	1500	1500	1700	1850	1850
	Headroom (H)	2500	2500	2500	3000	3000	3000
	Pit Depth (P)	200	200	200	300	300	300
CAR SIZE (MM)	Width (CW)	800	900	1100	800	900	1100
	Depth (CD)	1250	1400	1400	1250	1400	1400
	Car Height (CH)	2100	2100	2100	2100	2100	2100
	Door Opening Width (DOW)	800	900	900	800	900	900
	Door Opening Height (DOH)	2000	2000	2000	2000	2000	2000

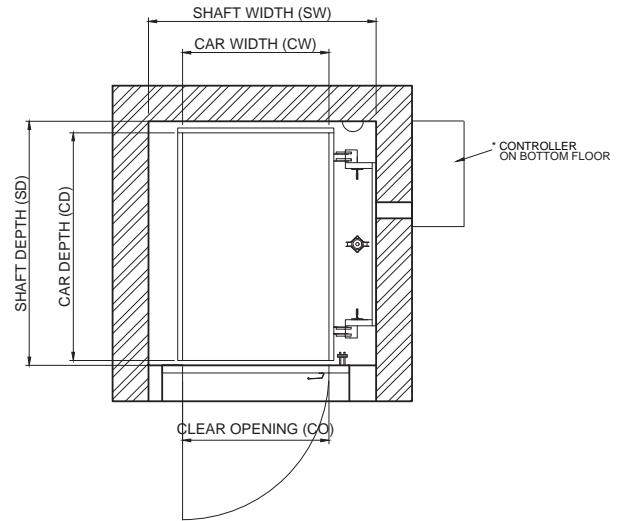
*Other capacities, shaft and car sizes available – custom made to suit any requirement

BASIC LAYOUT

SECTIONAL VIEW OF SHAFT - IN-LINE ENTRANCES



PLAN VIEW OF SHAFT - IN-LINE ENTRANCES



OPTIONAL EXTRAS

- _____
Voice annunciator
- _____
Segmented display in car
- _____
Segmented display on landings showing active floor
- _____
GSM telephone within car





WESANT

MANUFACTURING

www.wesant.co.za

T 031 700 4646 F 031 700 4633